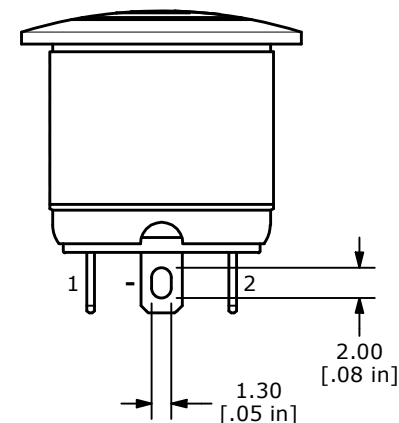
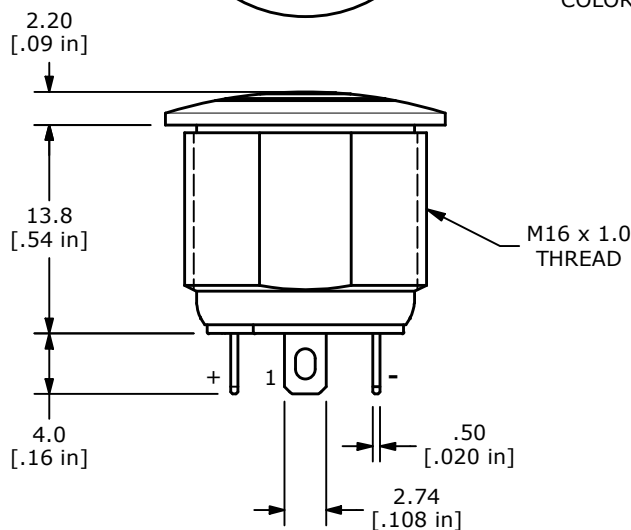


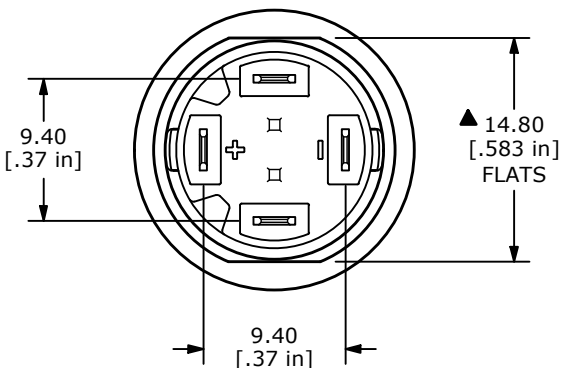
SCHEMATIC
OFF - (ON)

() DENOTES MOMENTARY FUNCTION



NOTE:

1. ALL DIMENSIONS IN MM [INCH]
2. GENERAL TOLERANCE: X.X = ±0.4
X.XX = ±0.25
3. TERMINAL NUMBERS FOR REF ONLY
4. CONTACT MATERIAL: SILVER PLATED
5. RATING: 2A 36VDC
6. ELECTRIC LIFE: 200,000
7. INSULATION RESISTANCE: 1,000MΩ MIN @ 500VDC.
8. DIELECTRIC STRENGTH: 2,000VAC MIN. FOR 1 MINUTE
9. CONTACT RESISTANCE: 50mΩ MAX. @ 1A 12VDC
10. OPERATING TEMP.: -20°C to 70°C
11. TRAVEL: 2.0mm
12. ▲ DENOTES CRITICAL PARAMETER.
- ▲ 13. ILLUMINATION COLOR: RED / GREEN
- ▲ 14. ILLUMINATION VOLTAGE RATING: RED 1.7 - 2.5V @ 20 mA
GREEN 2.8 - 3.7V @ 20 mA
15. HARDWARE SUPPLIED: O-RING AND HEXNUT (NOT SHOWN)
16. INGRESS PROTECTION: IP67



A	24252	NEW RELEASE	4/7/20	MJR
REV	PCR NO	DESCRIPTION	DATE	BY

TITLE PVA6RP241G1				
SCALE 2:1	DATE 4/7/2020	DR MJR	DWG T960044	REV A

THE INFORMATION CONTAINED IN THIS DOCUMENT IS PROPRIETARY TO E-SWITCH AND IS NOT TO BE COPIED OR TRANSFERRED